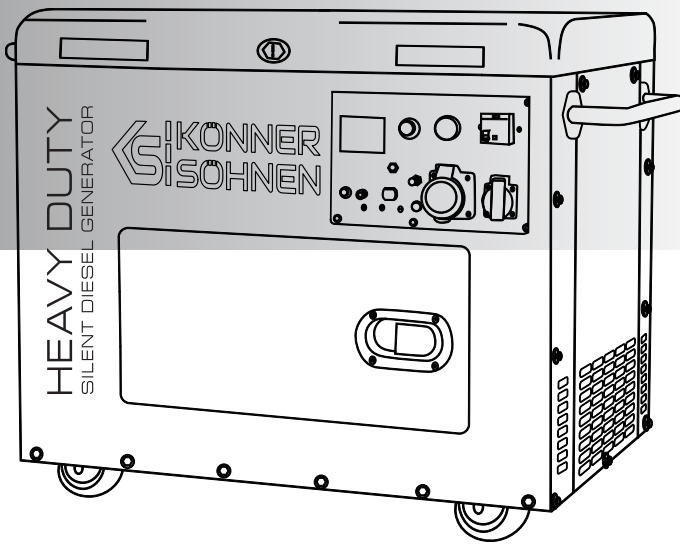


## HEAVY DUTY SILENT DIESEL GENERATOR EXPLODED VIEW

KS 8200HDES-1/3 ATSR,  
KS 9200HDES-1/3 ATSR



TRADITIONELLE DEUTSCHE QUALITÄT

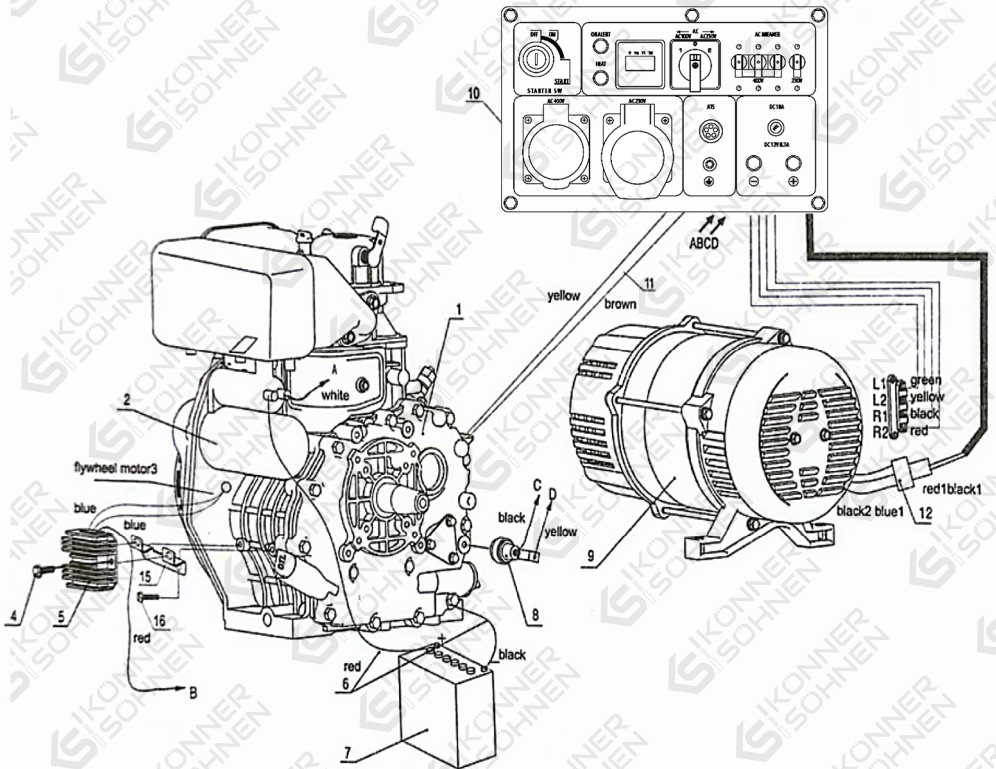
# CONTENTS

1. Parts of generator.....	2
2. Parts of engine.....	4
3. Parts of alternator.....	23
4. Parts of panel.....	25
5. Parts of cover shell.....	28
6. Parts of fuel tank.....	30
7. Starting motor and flywheel	
Alternatorsystem.....	31
8. Electric scheme.....	33

! This material is for informational purposes only and is not an instruction. The connection of the equipment in each case must be performed by a certified electrician, in accordance with local laws and regulations. Before connecting, we urge you to read the recommendations in the manual for the generator. The manufacturer is not responsible for improper connection of equipment, and is not responsible for possible material and physical damage that may occur as a result of improper installation, connection or operation of equipment.

# KS 9200HDES-1/3 ATSR

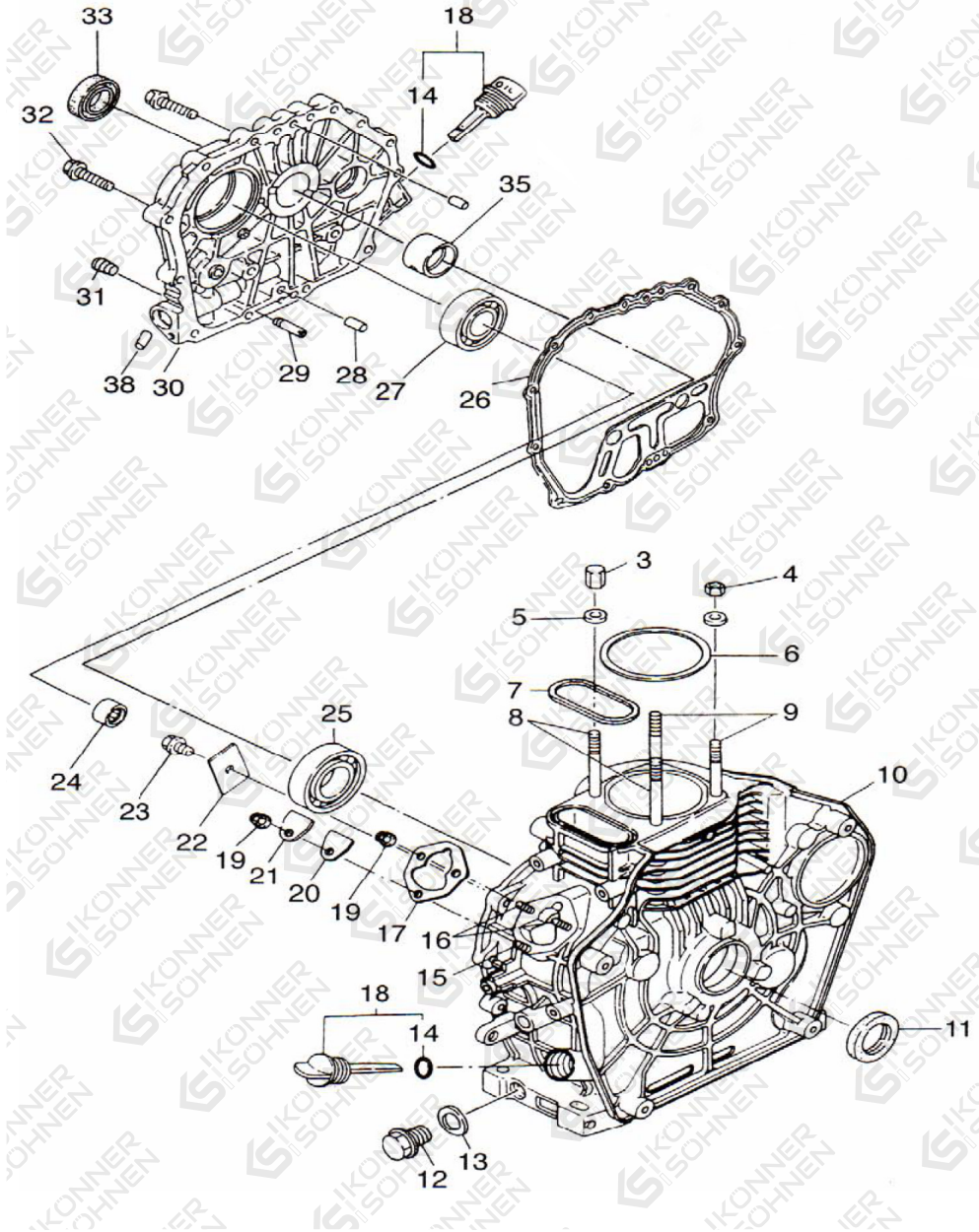
## 1. PARTS OF GENERATOR



No	REF. No	DESCRIPTION	QTY
1	KS 9200HDES-1/3 ATSR -1-001	AT series diesel engine	1
2	KS 9200HDES-1/3 ATSR -1-002	Starter Motor	1
3	KS 9200HDES-1/3 ATSR -1-003	Flywheel generator	1
4	KS 9200HDES-1/3 ATSR -1-004	Bolt	2
5	KS 9200HDES-1/3 ATSR -1-005	Voltage Regulator	1
6	KS 9200HDES-1/3 ATSR -1-006	Battery Cable (red, black)	2
7	KS 9200HDES-1/3 ATSR -1-007	Battery	1
8	KS 9200HDES-1/3 ATSR -1-008	Oil level sensor	1
9	KS 9200HDES-1/3 ATSR -1-009	Alternator	1
10	KS 9200HDES-1/3 ATSR -1-010	Output panel assembly	1
11	KS 9200HDES-1/3 ATSR -1-011	Throttle cable	2
12	KS 9200HDES-1/3 ATSR -1-012	Connector assembly	1
15	KS 9200HDES-1/3 ATSR -1-015	Voltage Regulator Bracket	1
16	KS 9200HDES-1/3 ATSR -1-016	Bolt	2

## 2. ENGINE PARTS LIST

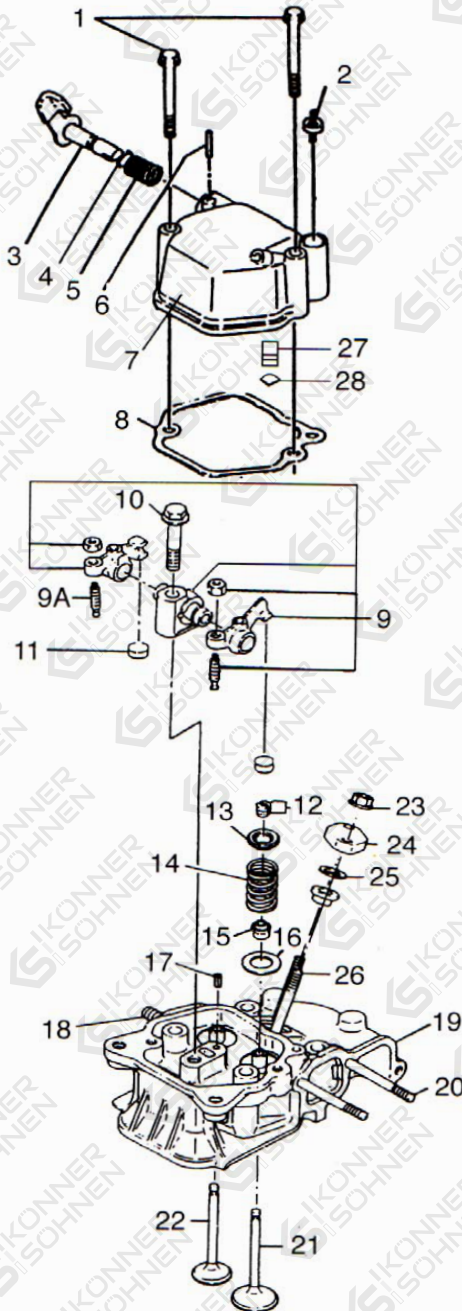
### 2.1 Part of cylinder block side cover



No	REF. No	DESCRIPTION	QTY
3	KS 9200HDES-1/3 ATSR-2.1-003	Nut of tylander head(long)	2
4	KS 9200HDES-1/3 ATSR-2.1-004	Nut of tylander head(shoer)	2
5	KS 9200HDES-1/3 ATSR-2.1-005	Gasket of nut of cylinder head	4
6	KS 9200HDES1/3 ATSR-2.1-006	Gasket of cylinder head(0.2-0.5)	1
7	KS 9200HDES-1/3 ATSR-2.1-007	Rectangle ring	1
8	KS 9200HDES-1/3 ATSR-2.1-008	Bolt of cylinder head(long)	2
9	KS 9200HDES-1/3 ATSR-2.1-009	Bolt of cylinder head(short)	2
10	KS 9200HDES-1/3 ATSR-2.1-010	Cylinder block	1
11	KS 9200HDES-1/3 ATSR-2.1-011	Reat oil Sealing 35×50×8	1
12	KS 9200HDES-1/3 ATSR-2.1-012	Cock of oil draining	1
13	KS 9200HDES-1/3 ATSR-2.1-013	Gaske of cock of oil draining	1
14	KS 9200HDES-1/3 ATSR-2.1-014	"O"type ring 24×2.4	2
15	KS 9200HDES-1/3 ATSR-2.1-015	86FAstening bolt of fuel injection pump(short)	1
16	KS 9200HDES-1/3 ATSR-2.1-016	86FAstening bolt of fuel injection pump(long)	2
17	KS 9200HDES-1/3 ATSR-2.1-017	Adjusting gasket of fuel injdc-tor(0.1-0.5)	1
18	KS 9200HDES-1/3 ATSR-2.1-018	Dispick of lubricating oil	2

No	REF. No	DESCRIPTION	QTY
19	KS 9200HDES-1/3 ATSR-2.1-019	Nut M6	3
20	KS 9200HDES-1/3 ATSR-2.1-020	Gasket of sealing plate	1
21	KS 9200HDES-1/3 ATSR-2.1-021	Sealing plate	1
22	KS 9200HDES-1/3 ATSR-2.1-022	Thrust piece	1
23	KS 9200HDES-1/3 ATSR-2.1-023	Bolt with flange 86FAce M8x14(GB5789-86)	1
24	KS 9200HDES-1/3 ATSR-2.1-024	Needle bearing 7941/8	2
25	KS 9200HDES-1/3 ATSR-2.1-025	Ball bearing 6308(GB/T276-94)	1
26	KS 9200HDES-1/3 ATSR-2.1-026	Gasket of crankcase cove	1
27	KS 9200HDES-1/3 ATSR-2.1-027	Bearing 6207 (GB/T276-94)	1
28	KS 9200HDES-1/3 ATSR-2.1-028	Retaining pin 8x12 (GB119-86)	2
29	KS 9200HDES-1/3 ATSR-2.1-029	Fuel Pipe	1
30	KS 9200HDES-1/3 ATSR-2.1-030	Crankcase cover	1
31	KS 9200HDES-1/3 ATSR-2.1-031	Inner Hexagon Plug G1/8	1
32	KS 9200HDES-1/3 ATSR-2.1-032	M8 x 33.5 Bolt(10.9)	16
33	KS 9200HDES-1/3 ATSR-2.1-033	Front oil seal 35 x 50 x 10	1
35	KS 9200HDES-1/3 ATSR-2.1-035	Main Bush	1
38	KS 9200HDES-1/3 ATSR-2.1-038	Aluminum Plug Diameter 8 x 8	3

## 2.2 Cylinder head cover and cylinder head assembly

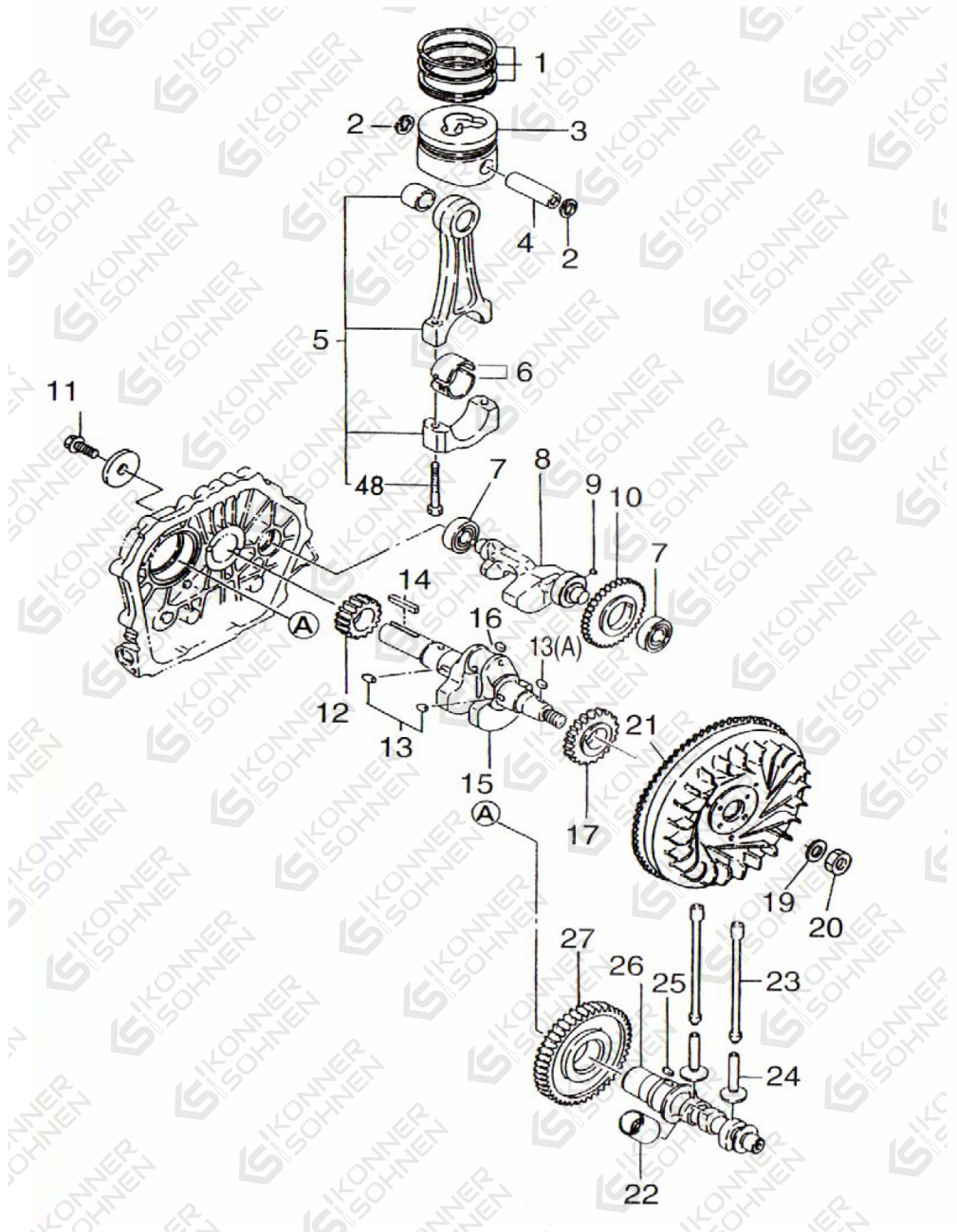




No	REF. No	DESCRIPTION	QTY
1	KS 9200HDES-1/3 ATSR-2.2-001	Bolt with flange 86FAce M6×75(GB5789-86)	3
2	KS 9200HDES-1/3 ATSR-2.2-002	Oiling screw plug	1
3	KS 9200HDES-1/3 ATSR-2.2-003	Paer of decompression shaft	1
4	KS 9200HDES-1/3 ATSR-2.2-004	"O"ring 10×1.9 (GB1235-76)	1
5	KS 9200HDES-1/3 ATSR-2.2-005	Decompression spring	1
6	KS 9200HDES-1/3 ATSR-2.2-006	Retaining pin 3×16(GB119-86)	1
7	KS 9200HDES-1/3 ATSR-2.2-007	Cylinder head cover	1
8	KS 9200HDES-1/3 ATSR-2.2-008	Gasket of cylinder head cover	1
9	KS 9200HDES-1/3 ATSR-2.2-009	Rocker arm	1
9A	KS 9200HDES-1/3 ATSR-2.2-009A	Adjusting screw of vavle gap	2
10	KS 9200HDES-1/3 ATSR-2.2-010	86FAstened bolt of rocker arm shaft	2
11	KS 9200HDES-1/3 ATSR-2.2-011	Valve adjusting packing	2
12	KS 9200HDES-1/3 ATSR-2.2-012	Valve clip	4
13	KS 9200HDES-1/3 ATSR-2.2-013	Valve spring seat	2
14	KS 9200HDES-1/3 ATSR-2.2-014	Valve sping	2

No	REF. No	DESCRIPTION	QTY
15	KS 9200HDES-1/3 ATSR-2.2-015	Oil seal of valve guide	2
16	KS 9200HDES-1/3 ATSR-2.2-016	Spring washer of valve	2
17	KS 9200HDES-1/3 ATSR-2.2-017	Pin 4 x 8 (GB119-86)	1
18	KS 9200HDES-1/3 ATSR-2.2-018	Double ends stud AM8 x 20 (GB899-88)	2
19	KS 9200HDES-1/3 ATSR-2.2-019	Mechanical process parts of cylinder head	1
20	KS 9200HDES-1/3 ATSR-2.2-020	Bolt M6 x75	2
21	KS 9200HDES-1/3 ATSR-2.2-021	Intake valve	1
22	KS 9200HDES-1/3 ATSR-2.2-022	Exhaust valve	1
23	KS 9200HDES-1/3 ATSR-2.2-023	Nut M6(GB6177-86)	2
24	KS 9200HDES-1/3 ATSR-2.2-024	Press plate of fuel injector	1
25	KS 9200HDES-1/3 ATSR-2.2-025	Adjusting gasket of fuel injector	1
26	KS 9200HDES-1/3 ATSR-2.2-026	86Fasted bolt of fuel injector M6x25	2
27	KS 9200HDES-1/3 ATSR-2.2-027	Breather assembly	1
28	KS 9200HDES-1/3 ATSR-2.2-028	"O" type ring 12x1.9	1

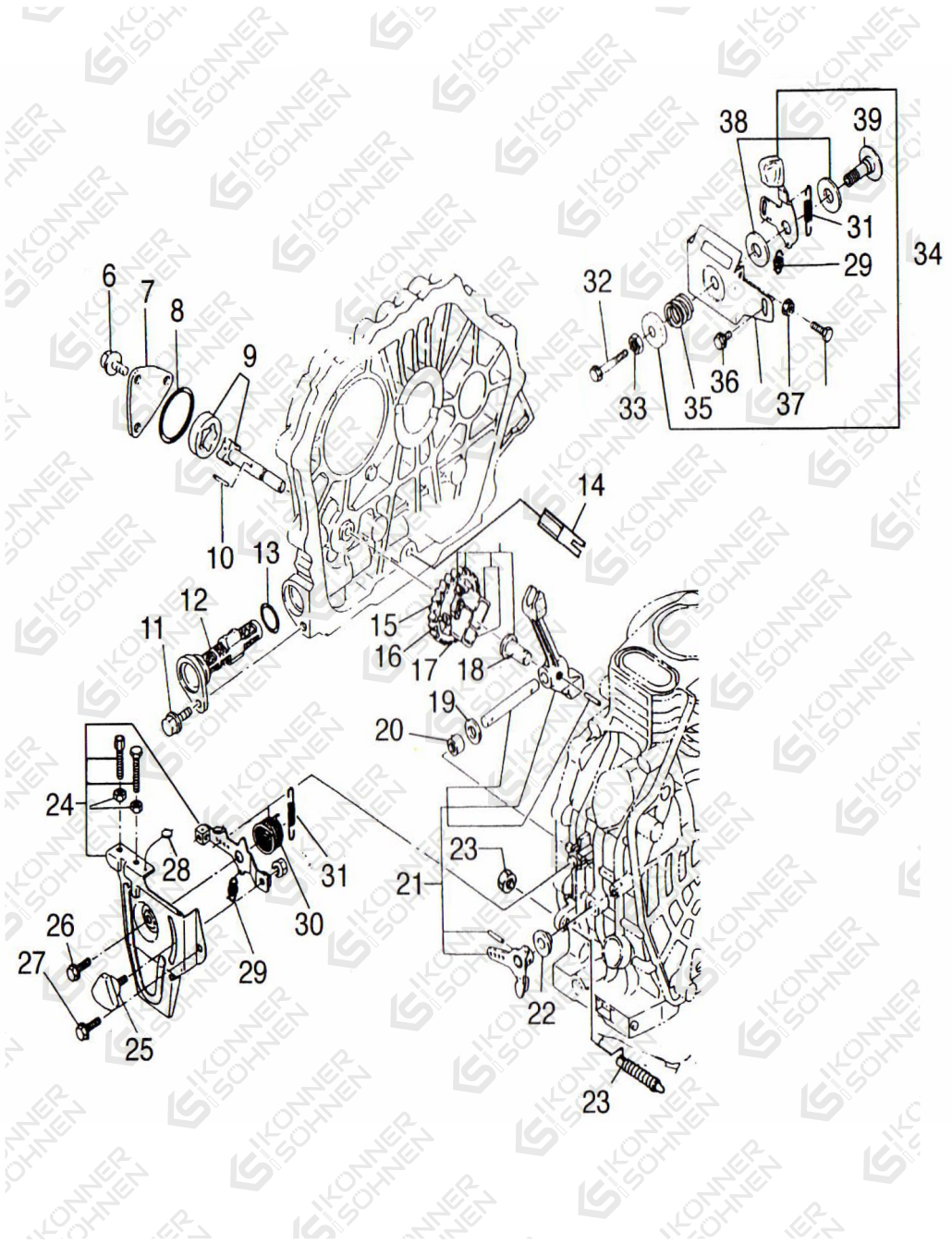
## 2.3 Piston connecting rod and crankshaft balancing mechanism



No	REF. No	DESCRIPTION	QTY
1	KS 9200HDES-1/3 ATSR-2.3-001	Piston ring group	1
2	KS 9200HDES-1/3 ATSR-2.3-002	Retainer of piston pin $\Phi 23$	2
3	KS 9200HDES-1/3 ATSR-2.3-003	Piston	1
4	KS 9200HDES-1/3 ATSR-2.3-004	Piston pin	1
5	KS 9200HDES-1/3 ATSR-2.3-005	Connecting rod body	1
6	KS 9200HDES-1/3 ATSR-2.3-006	Connecting rod bush	1
7	KS 9200HDES-1/3 ATSR-2.3-007	Bearing 6203(GB/T276-94)	2
8	KS 9200HDES-1/3 ATSR-2.3-008	Balancing shaft	1
9	KS 9200HDES-1/3 ATSR-2.3-009	Key 5×7 (GB1096-79)	1
10	KS 9200HDES-1/3 ATSR-2.3-010	Balancing shaft timing gear	1
11	KS 9200HDES-1/3 ATSR-2.3-011	Bolt (for F shaft accompany with the diesel engine)	1
12	KS 9200HDES-1/3 ATSR-2.3-012	Crankshaft timing gear	1
13	KS 9200HDES-1/3 ATSR-2.3-013	Key 5×12 (GB1096-79)	2
13A	KS 9200HDES-1/3 ATSR-2.3-013A	Key 5×14(GB1096-79)	1
14	KS 9200HDES-1/3 ATSR-2.3-014	Key 6×63(GB1096-79)	1

No	REF. No	DESCRIPTION	QTY
15	KS 9200HDES-1/3 ATSR-2.3-015	Crankshaft	1
16	KS 9200HDES-1/3 ATSR-2.3-016	Plug 6×8	1
17	KS 9200HDES-1/3 ATSR-2.3-017	Driving gear of balancing shaft	1
19	KS 9200HDES-1/3 ATSR-2.3-019	Gasket for nut of flywheel	1
20	KS 9200HDES-1/3 ATSR-2.3-020	Nut of flywheel	1
21	KS 9200HDES-1/3 ATSR-2.3-021	Gear ring of flywheel (for starting motor)	1
22	KS 9200HDES-1/3 ATSR-2.3-022	Sleeve of fuel pump tappet	1
23	KS 9200HDES-1/3 ATSR-2.3-023	Push rod	2
24	KS 9200HDES-1/3 ATSR-2.3-024	Tappet	2
25	KS 9200HDES-1/3 ATSR-2.3-025	Key 4×14(GB1096-79)	1
26	KS 9200HDES-1/3 ATSR-2.3-026	Camshaft	1
27	KS 9200HDES-1/3 ATSR-2.3-027	Camshaft timing gear	1

## 2.4 Lubricating and speed –control system

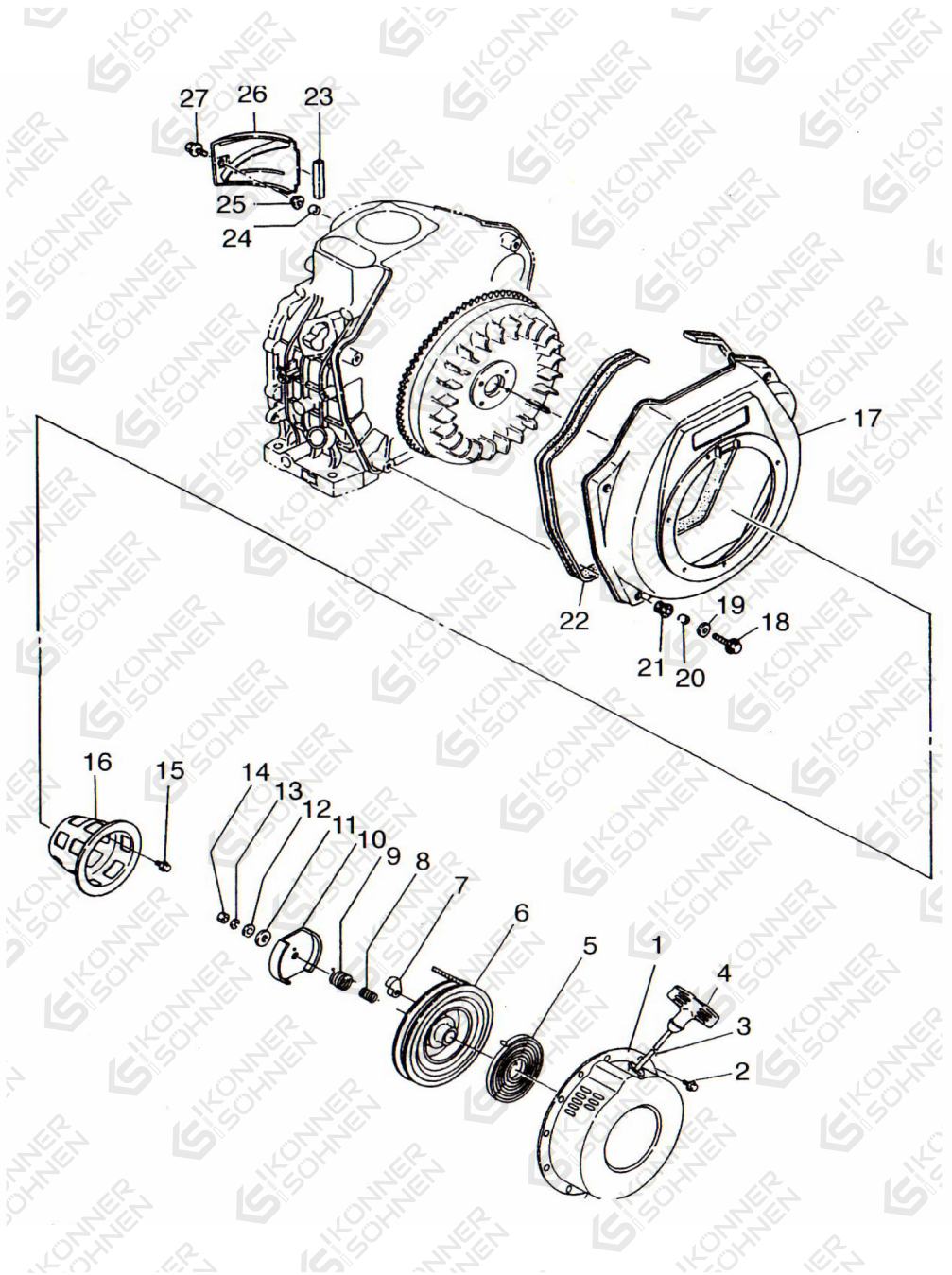


No	REF. No	DESCRIPTION	QTY
6	KS 9200HDES-1/3 ATSR-2.4-006	M6 x 12 (GB5787-86) Bolt	3
7	KS 9200HDES-1/3 ATSR-2.4-007	Oil pump cover	1
8	KS 9200HDES-1/3 ATSR-2.4-008	O ring 34.5 x 1.8 (GB3452.1-82)	1
9	KS 9200HDES-1/3 ATSR-2.4-009	Oil Pump	1
10	KS 9200HDES-1/3 ATSR-2.4-010	pin 3 x 16 (GB119-82)	1
11	KS 9200HDES-1/3 ATSR-2.4-011	M6 x 14 (GB5789-86)	1
12	KS 9200HDES-1/3 ATSR-2.4-012	Oil filter cleaning element	1
13	KS 9200HDES-1/3 ATSR-2.4-013	Sealing ring 20 x 2.65	1
14	KS 9200HDES-1/3 ATSR-2.4-014	Oil Guide	1
15	KS 9200HDES-1/3 ATSR-2.4-015	Oil pump driving gear	1
16	KS 9200HDES-1/3 ATSR-2.4-016	Fly block pin	1
17	KS 9200HDES-1/3 ATSR-2.4-017	Fly block	2
18	KS 9200HDES-1/3 ATSR-2.4-018	Tappet of governor fork	1
19	KS 9200HDES-1/3 ATSR-2.4-019	Lever shaft gasket	2
20	KS 9200HDES-1/3 ATSR-2.4-020	Bearing 7941/8 (GB290-64)	2
21	KS 9200HDES-1/3 ATSR-2.4-021	Fork lever assembly	1
23	KS 9200HDES-1/3 ATSR-2.4-023	Fuel controller parts	1

No	REF. No	DESCRIPTION	QTY
24	KS 9200HDES-1/3 ATSR-2.4-024	Handle bracket	1
25	KS 9200HDES-1/3 ATSR-2.4-025	Speed-control lever	1
26	KS 9200HDES-1/3 ATSR-2.4-026	M6 x 14 (GB5787-86)	1
27	KS 9200HDES-1/3 ATSR-2.4-027	M6 x 18 (GB5787-86)	1
28	KS 9200HDES-1/3 ATSR-2.4-028	Lead seal	1
29	KS 9200HDES-1/3 ATSR-2.4-029	Return spring 2	1
30	KS 9200HDES-1/3 ATSR-2.4-030	Return spring 1	1
31	KS 9200HDES-1/3 ATSR-2.4-031	Speed-control spring	1
32	KS 9200HDES-1/3 ATSR-2.4-032	M6 x 45 (GB6172-86) Bolt	1
33	KS 9200HDES-1/3 ATSR-2.4-033	M10 x 1.25 Nut	1
34	KS 9200HDES-1/3 ATSR-2.4-034	FG parts of Lever	1
35	KS 9200HDES-1/3 ATSR-2.4-035	FG governor spring	1
36	KS 9200HDES-1/3 ATSR-2.4-036	M6 x 14 (GB5789-86) Bolt	1
37	KS 9200HDES-1/3 ATSR-2.4-037	M6 (GB39-88) Nut	2
38	KS 9200HDES-1/3 ATSR-2.4-038	Washer	1
39	KS 9200HDES-1/3 ATSR-2.4-039	Short Handle	1



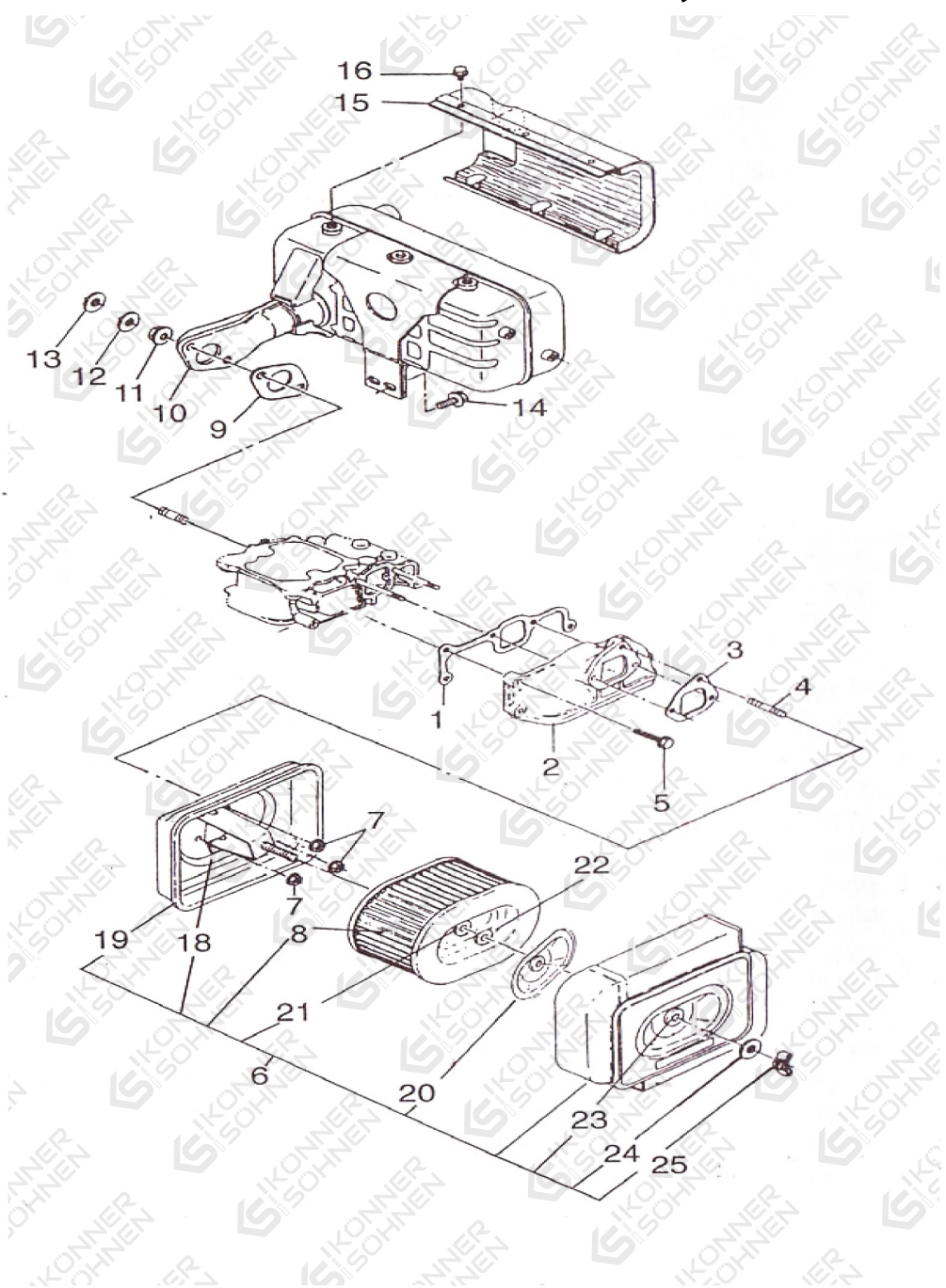
## 2.5 Cooling and recoil starting system



No	REF. No	DESCRIPTION	QTY
1	KS 9200HDES-1/3 ATSR-2.5-001	recoil start assembly	1
2	KS 9200HDES-1/3 ATSR-2.5-002	Bolt M6 x 8 (GB5787-86)	4
3	KS 9200HDES-1/3 ATSR-2.5-003	Starter rope	1
4	KS 9200HDES-1/3 ATSR-2.5-004	Starter handle	1
5	KS 9200HDES-1/3 ATSR-2.5-005	Flat Torsional spring	1
6	KS 9200HDES-1/3 ATSR-2.5-006	Reel	1
7	KS 9200HDES-1/3 ATSR-2.5-007	Starting claw	1
8	KS 9200HDES-1/3 ATSR-2.5-008	Helical spring	1
9	KS 9200HDES-1/3 ATSR-2.5-009	Torsional spring	1
10	KS 9200HDES-1/3 ATSR-2.5-010	Starting claw plate	1
11	KS 9200HDES-1/3 ATSR-2.5-011	Friction plate	1
12	KS 9200HDES-1/3 ATSR-2.5-012	Friction plate gasket	1
13	KS 9200HDES-1/3 ATSR-2.5-013	Spring washer	1
14	KS 9200HDES-1/3 ATSR-2.5-014	M8 Nut	1
15	KS 9200HDES-1/3 ATSR-2.5-015	M8 x 18	4

No	REF. No	DESCRIPTION	QTY
16	KS 9200HDES-1/3 ATSR-2.5-016	Starter	1
17	KS 9200HDES-1/3 ATSR-2.5-017	Recoil starter cover	1
18	KS 9200HDES-1/3 ATSR-2.5-018	M6 x 22 (GB5787-86) Bolt	5
19	KS 9200HDES-1/3 ATSR-2.5-019	M6 washer (GB90-85)	4
20	KS 9200HDES-1/3 ATSR-2.5-020	Collar	4
21	KS 9200HDES-1/3 ATSR-2.5-021	Shock absorber	4
22	KS 9200HDES-1/3 ATSR-2.5-022	Shock pads	1
23	KS 9200HDES-1/3 ATSR-2.5-023	Shock isolator	1
24	KS 9200HDES-1/3 ATSR-2.5-024	Collar	1
25	KS 9200HDES-1/3 ATSR-2.5-025	Pad	1
26	KS 9200HDES-1/3 ATSR-2.5-026	Wind leading plate	1
27	KS 9200HDES-1/3 ATSR-2.5-027	M6 x 22 (shaped piece) Bolt	1

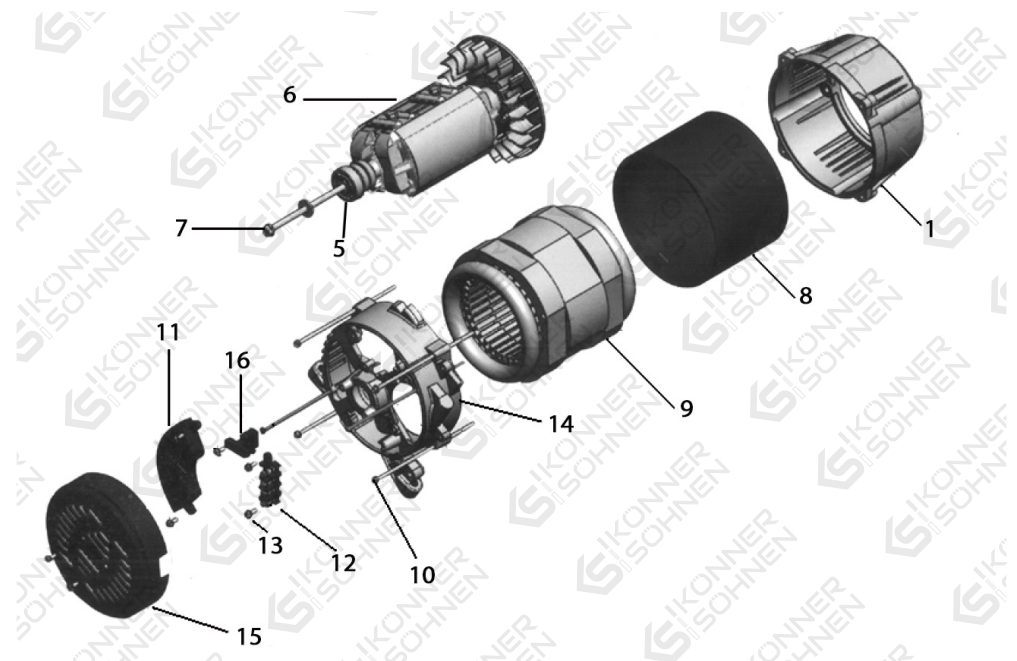
## 2.6 Air cleaner and silencer system



No	REF. No	DESCRIPTION	QTY
1	KS 9200HDES-1/3 ATSR-2.6-001	Intake pipe gasket	1
2	KS 9200HDES-1/3 ATSR-2.6-002	Intake pipe	1
3	KS 9200HDES-1/3 ATSR-2.6-003	Air cleaner gasket	1
4	KS 9200HDES-1/3 ATSR-2.6-004	Bolt	1
5	KS 9200HDES-1/3 ATSR-2.6-005	M6 x 22 (GB5789-86) Shaped bolt	1
6	KS 9200HDES-1/3 ATSR-2.6-006	Air filter assembly	1
7	KS 9200HDES-1/3 ATSR-2.6-007	M6 (GB6177-86) Nut	1
8	KS 9200HDES-1/3 ATSR-2.6-008	Air filter element	1
9	KS 9200HDES-1/3 ATSR-2.6-009	Muffler gasket	1
10	KS 9200HDES-1/3 ATSR-2.6-010	Muffler assembly	1
11	KS 9200HDES-1/3 ATSR-2.6-011	Flat washer Dia. 8	2
12	KS 9200HDES-1/3 ATSR-2.6-012	Spring washer Dia. 8	2
13	KS 9200HDES-1/3 ATSR-2.6-013	M8 (GB6170-86) Nut	2
15	KS 9200HDES-1/3 ATSR-2.6-015	Muffler screen cover	1
16	KS 9200HDES-1/3 ATSR-2.6-016	M6 x 8 (GB5789-86) Bolt	10

No	REF. No	DESCRIPTION	QTY
18	KS 9200HDES-1/3 ATSR-2.6-018	Shock proof sealing ring	1
19	KS 9200HDES-1/3 ATSR-2.6-019	Bottom case assembly of Air Cleaner	1
20	KS 9200HDES-1/3 ATSR-2.6-020	Outer shock proof sealing ring	1
21	KS 9200HDES-1/3 ATSR-2.6-021	Air filter shock absorber	1
22	KS 9200HDES-1/3 ATSR-2.6-022	Collar (GB6177-86)	1
23	KS 9200HDES-1/3 ATSR-2.6-023	Air filter shock absorber	1
24	KS 9200HDES-1/3 ATSR-2.6-024	Washer	1
25	KS 9200HDES-1/3 ATSR-2.6-025	M8 butterfly nut	1

### 3. PARTS OF ALTERNATOR

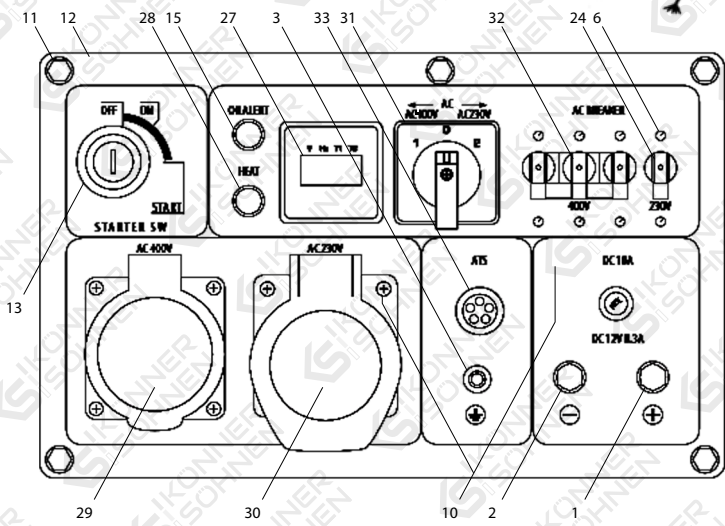
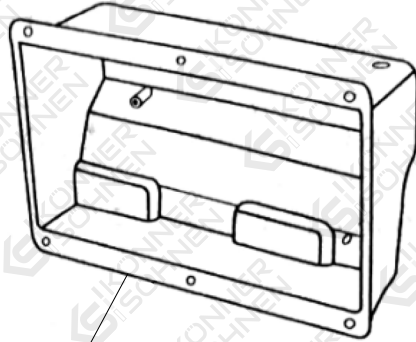


No	REF. No	DESCRIPTION	QTY
1	KS 9200HDE-1/3 ATSR-3-001	Front end cover	1
5	KS 9200HDE-1/3 ATSR-3-005	Bearing	1
6	KS 9200HDE-1/3 ATSR-3-006	Rotor Unit	1
7	KS 9200HDE-1/3 ATSR-3-007	Center bolt	1
8	KS 9200HDE-1/3 ATSR-3-008	Motor cover	1
9	KS 9200HDE-1/3 ATSR-3-009	Stator	1
10	KS 9200HDE-1/3 ATSR-3-010	Long Bolt	4

No	REF. No	DESCRIPTION	QTY
11	KS 9200HDE-1/3 ATSR-3-011	AVR	1
12	KS 9200HDE-1/3 ATSR-3-012	Wiring Seat	1
13	KS 9200HDE-1/3 ATSR-3-013	M5×15 Bolt	6
14	KS 9200HDE-1/3 ATSR-3-014	Real round cover	1
15	KS 9200HDE-1/3 ATSR-3-015	Dust cover	1
16	KS 9200HDE-1/3 ATSR-3-016	Carbon brush	1



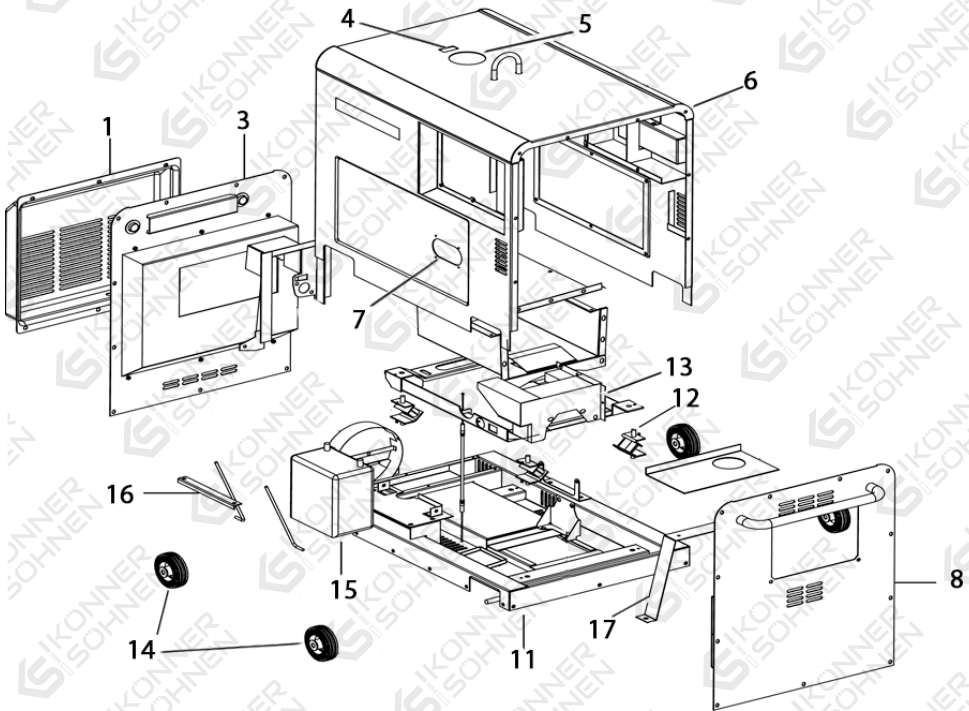
# 4. PARTS OF PANEL



No	REF. No	DESCRIPTION	QTY
1	KS 9200HDE-1/3 ATSR-4-001	Positive DC port	1
2	KS 9200HDE-1/3 ATSR-4-002	Negative DC port	1
3	KS 9200HDE-1/3 ATSR-4-003	Grounded bolt	1
5	KS 9200HDE-1/3 ATSR-4-005	Large Nut	1
6	KS 9200HDE-1/3 ATSR-4-006	Bolt	2
10	KS 9200HDE-1/3 ATSR-4-010	Bolt M4x20	9
11	KS 9200HDE-1/3 ATSR-4-011	Electric panel bolt M6x20	6
12	KS 9200HDE-1/3 ATSR-4-012	Electric panel	1
13	KS 9200HDE-1/3 ATSR-4-013	Starter switch	1
14	KS 9200HDE-1/3 ATSR-4-014	Nut M4	8
15	KS 9200HDE-1/3 ATSR-4-015	Oil alert lamp	1
18	KS 9200HDE-1/3 ATSR-4-018	DC fuse	1
24	KS 9200HDE-1/3 ATSR-4-024	Breaker single phase	1
25	KS 9200HDE-1/3 ATSR-4-025	Wiring harness	1
26	KS 9200HDE-1/3 ATSR-4-026	Electrical box	1

No	REF. No	DESCRIPTION	QTY
27	KS 9200HDE-1/3 ATSR-4-027	Digital meter	1
28	KS 9200HDE-1/3 ATSR-4-028	heater switch	1
29	KS 9200HDE-1/3 ATSR-4-029	400V socket	1
30	KS 9200HDE-1/3 ATSR-4-030	230V socket	1
31	KS 9200HDE-1/3 ATSR-4-031	230/400V transform switch	1
32	KS 9200HDE-1/3 ATSR-4-032	Breaker three phase	1
33	KS 9200HDE-1/3 ATSR-4-033	ATS socket	1

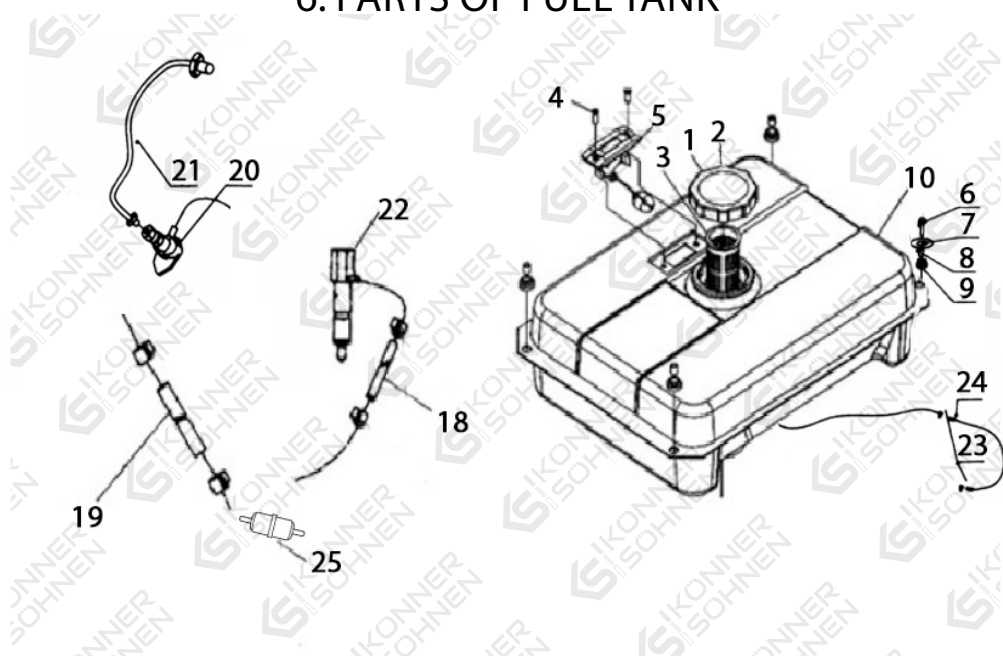
## 5. PARTS OF COVER SHELL



No	REF. No	DESCRIPTION	QTY
1	KS 9200HDES-1/3 ATSR -5-001	Muffler cover plate	1
3	KS 9200HDES-1/3 ATSR -5-003	Left outer cover	1
4	KS 9200HDES-1/3 ATSR -5-004	Fuel gauge	1
5	KS 9200HDES-1/3 ATSR -5-005	Fuel tank sleeve	1

No	REF. No	DESCRIPTION	QTY
6	KS 9200HDES-1/3 ATSR -5-006	Main cover	1
7	KS 9200HDES-1/3 ATSR -5-007	Door knob	1
8	KS 9200HDES-1/3 ATSR -5-008	Right outer cover	1
10	KS 9200HDES-1/3 ATSR -5-010	Air cleaner cover	1
11	KS 9200HDES-1/3 ATSR -5-011	Lower chassis	1
12	KS 9200HDES-1/3 ATSR -5-012	Engine tray mounts	4
13	KS 9200HDES-1/3 ATSR -5-013	Engine/Generator tray	1
14	KS 9200HDES-1/3 ATSR -5-014	Wheels	4
15	KS 9200HDES-1/3 ATSR -5-015	Battery	1
16	KS 9200HDES-1/3 ATSR -5-016	Battery tie down	1
17	KS 9200HDES-1/3 ATSR -5-017	Long cover plate	1

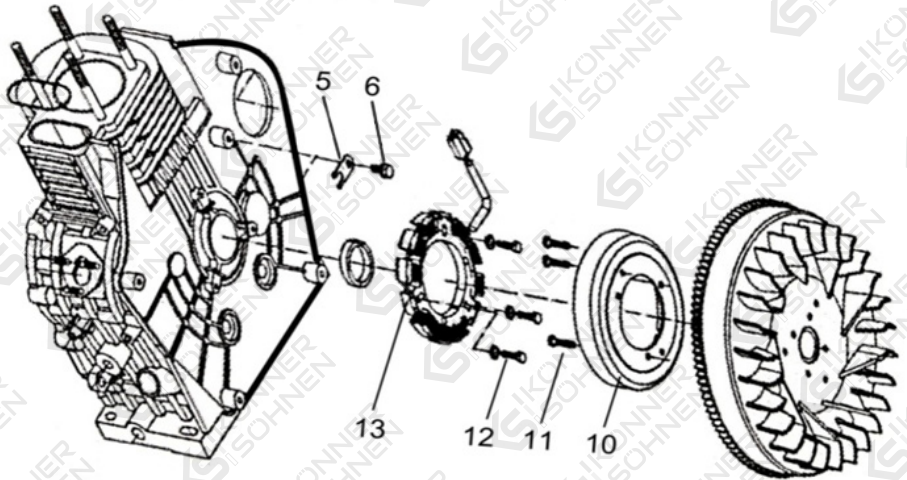
## 6. PARTS OF FUEL TANK



No	REF. No	DESCRIPTION	QTY
1	KS 9200HDES-1/3 ATSR -6-001	Fuel cap	1
2	KS 9200HDES-1/3 ATSR -6-002	Seal	1
3	KS 9200HDES-1/3 ATSR -6-003	Filtering cup	1
4	KS 9200HDES-1/3 ATSR -6-004	M5x10 screw	2
5	KS 9200HDES-1/3 ATSR -6-005	Fuel lever indicator	1
6	KS 9200HDES-1/3 ATSR -6-006	M6x25 Bolt	4
7	KS 9200HDES-1/3 ATSR -6-007	Large flat washer 6	4
8	KS 9200HDES-1/3 ATSR -6-008	Fuel tank lining	4

No	REF. No	DESCRIPTION	QTY
9	KS 9200HDES-1/3 ATSR -6-009	Shock absorbing gasket	4
10	KS 9200HDES-1/3 ATSR -6-010	Fuel tank	1
19	KS 9200HDES-1/3 ATSR -6-019	Fuel inlet pipe	1
20	KS 9200HDES-1/3 ATSR -6-020	High pressure fuel pump	1
21	KS 9200HDES-1/3 ATSR -6-021	High pressure fuel pipe	1
22	KS 9200HDES-1/3 ATSR -6-022	Fuel injector	1
23	KS 9200HDES-1/3 ATSR -6-023	Overfill tube	2
24	KS 9200HDES-1/3 ATSR -6-024	Fuel overfill pipe	1
25	KS 9200HDES-1/3 ATSR -6-025	Fuel filter	1

## 7. STARTING MOTOR AND FLYWHEEL ALTERNATOR SYSTEM

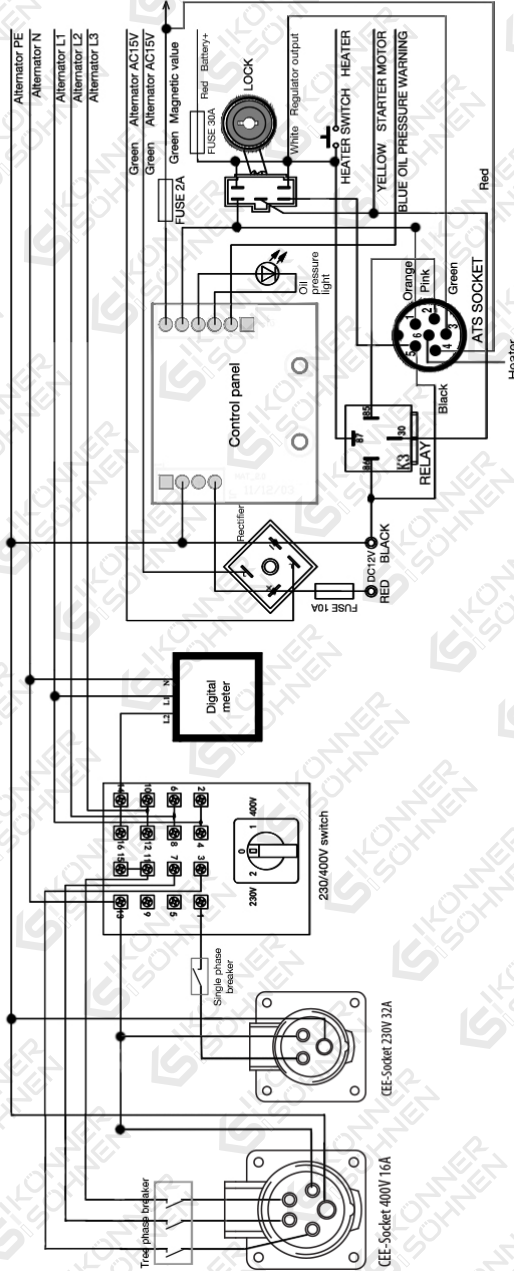




No	REF. No	DESCRIPTION	QTY
5	KS 9200HDES-1/3 ATSR-7-005	Retainer	1
			1
6	KS 9200HDES-1/3 ATSR-7-006	bolt M6×12	1
		Flanged bolt M6×12	1
			1
10	KS 9200HDES-1/3 ATSR-7-010	Rotor of flywheel alternator	1
11	KS 9200HDES-1/3 ATSR-7-011	Countersunk bolt M6×12	3
12	KS 9200HDES-1/3 ATSR-7-012	Flanged bolt M6×18	3
13	KS 9200HDES-1/3 ATSR-7-013	Stator of flywheel alternator	
			1

# 8. ELECTRIC SCHEME

For diesel generator KS 8200HDES 1/3 ATSR, KS 9200HDES 1-3 ATSR



## **CONTACTS**

**[konner-sohnen.com](http://konner-sohnen.com)**

**Germany**

**[info@dimaxgroup.de](mailto:info@dimaxgroup.de)**

**Poland**

**[info.pl@dimaxgroup.de](mailto:info.pl@dimaxgroup.de)**

**Ukraine**

**[sales@ks-power.com.ua](mailto:sales@ks-power.com.ua)**